



**Rodamientos para bombas de agua**

---

*Water pump bearings*

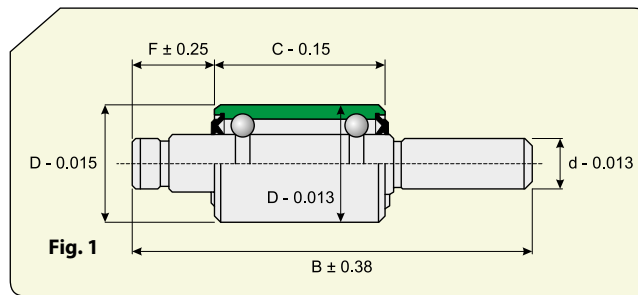


## RODAMIENTOS PARA BOMBAS DE AGUA

Los rodamientos **ISB**® para bombas de agua, son de diseño simple y económico. Han sido concebidos para la utilización en la industria de los motores (para autos, camiones, tractores, motores marítimos). Tienen dos giros de bolas o bien uno de bolas y uno de rodillos, distanciados entre sí, para otorgarles mayor durabilidad y soportar cargas radiales mayores (**Fig. 1**). En lugar del aro interior se emplea un eje, con saliente por ambos lados, en el cual están montados, de una parte la polea de arrastre y de la otra el rodete de la bomba. El rodamiento está prelubricado con grasa de protección estanca que evita la necesidad de mantenimiento y está fabricado con un tratamiento térmico especial.

## WATER PUMP BEARINGS

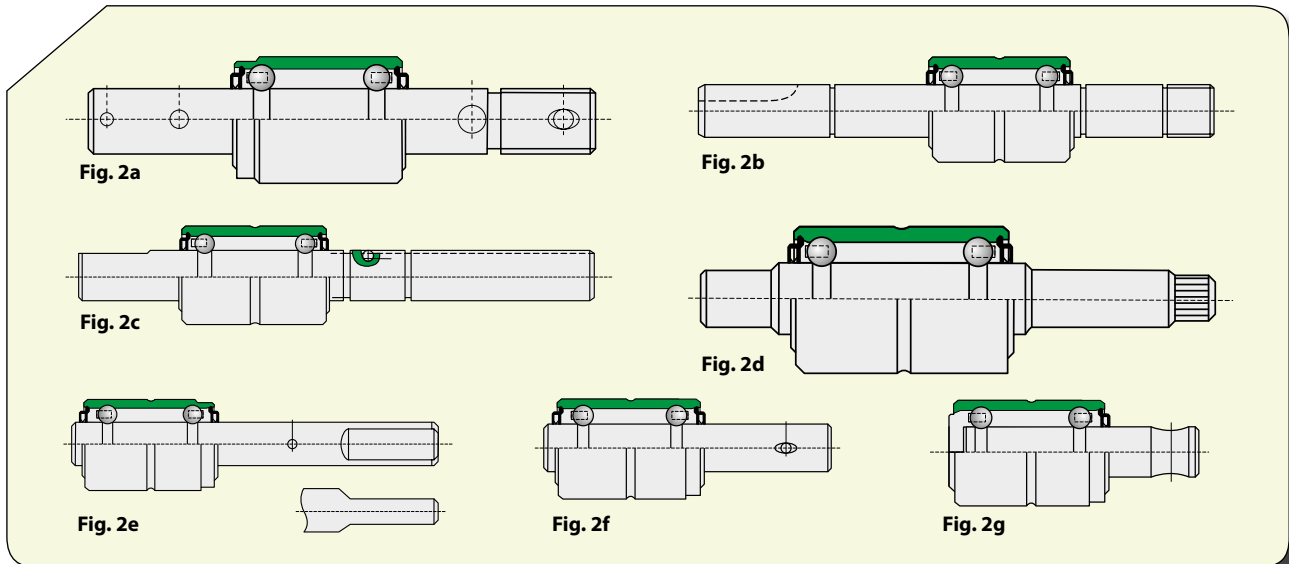
**ISB**® water pump bearings, are conceptually easy and cheap: they are designed for motor industry (engine cars, propelling motors, lorries, tractors and so on); they can be manufactured with double row of balls or with a row of balls and a row of rollers. They are distant, in order to have a longer life and be more resistant to heavy loads (**Fig. 1**). Instead of an inner ring, a shaft is used that puts out on both sides and onto which a carrying pulley and a rotor pump is mounted, one per each side. The bearing is pre-lubricated with grease, and sealed (2RS watertight version); these conditions guarantee the free maintenance of it; it is made of chrome-steel for bearings and subjected to special heat treatments. For tolerances, see technical drawing. C3 clearance is to guarantee longer life. Dynamic and static load rating are calculated by the assembly of 2 single row ball bearings.



**Fig. 1**

Contáctenos para aplicaciones especiales. A continuación encuentra Usted algunos ejemplos de ejes de diseño especial (**Fig. 2**).

Consult us when special shaft designs are needed. Some examples of specially shaped shafts are given below (**Fig. 2**).



**Fig. 2a**

**Fig. 2b**

**Fig. 2c**

**Fig. 2d**

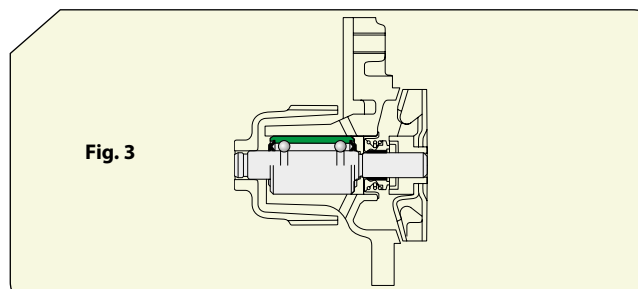
**Fig. 2e**

**Fig. 2f**

**Fig. 2g**

Bomba agua para automóviles (**Fig. 3**).

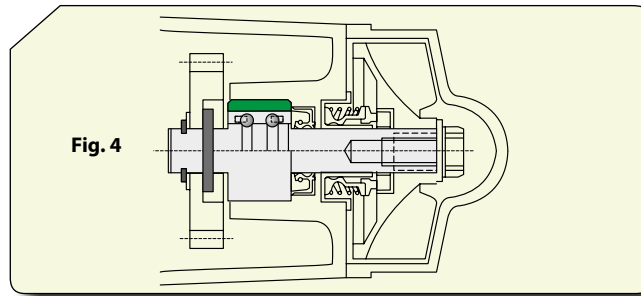
Water pump for automobile (**Fig. 3**).



**Fig. 3**

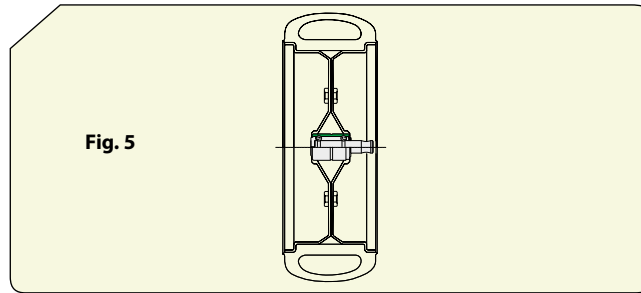
Bomba agua para motos (Fig. 4).

Water pump for motorcycle (Fig. 4).



Rueda para máquina agrícola (Fig. 5).

Wheel for farm machines (Fig. 5).



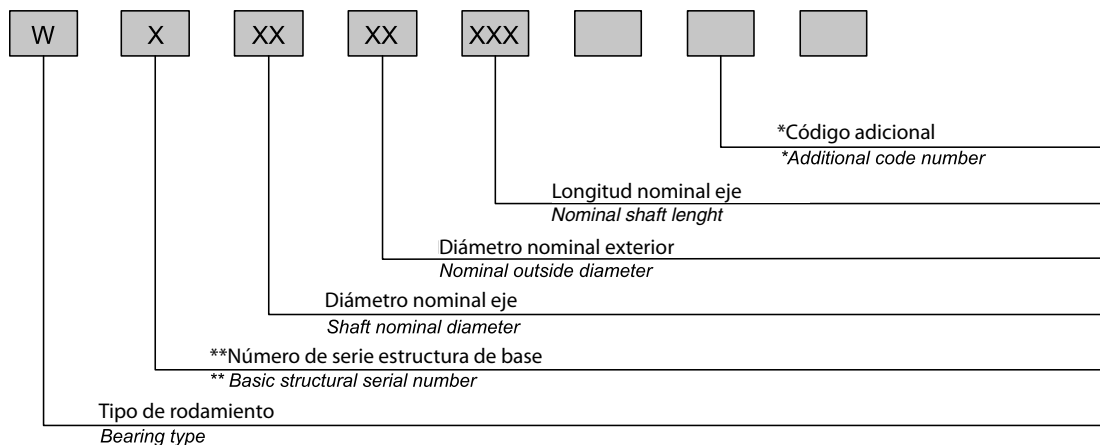
DIMENSIONES DE SERIE DE RODAMIENTOS

WATER PUMP BEARING DIMENSIONS SERIES

Dimensiones - Dimensions (mm)		Dimensiones - Dimensions (mm)	
Diámetro exterior Outside diameter	Diámetro eje Shaft diameter	Diámetro exterior Outside diameter	Diámetro eje Shaft diameter
26	12	35	17.5
28	17.2	35	18
30	15	38.1	18.961
30	15.918	41	22
30	16	42	22
30	17.2	47.625	25.4

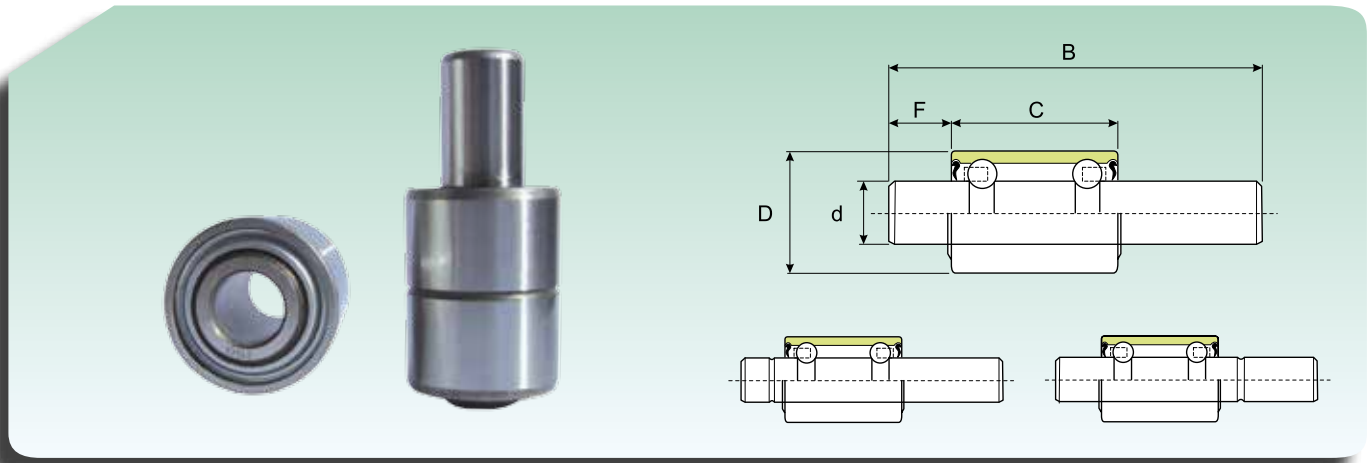
ESTRUCTURA DE LA SIGLA DEL RODAMIENTO

WATER PUMP BEARING NUMBER STRUCTURE



- \* Para otros diámetros de los ejes se utilizan los símbolos A<sub>1</sub>-A<sub>2</sub>
- Para otros tamaños y estructuras se utilizan los símbolos K<sub>1</sub>-K<sub>2</sub>
- T** Eje roscado
- T** Eje perforado
- N** Eje moleteado
- F** Terminal del eje plano
- \*\*B** Rodamiento de dos giros de bolas
- R** Rodamiento combinado con un giro de bolas y uno de rodillos

- \* Different shaft diameter use the symbol A<sub>1</sub> - A<sub>2</sub>
- Different dimensions of structure for integral shaft use K<sub>1</sub> - K<sub>2</sub>
- T** Thread on shaft.
- R** Hole in shaft.
- N** Knurl on shaft.
- F** Flat milled on shaft.
- \*\*B** Ball-ball type.
- R** Ball-roller type.

**RODAMIENTOS PARA BOMBAS DE AGUA  
WATER PUMP BEARINGS**


Dimensiones Dimension					Sigla Designation
D (mm)	C (mm)	d (mm)	B (mm)	F (mm)	
26	39.00	12.00	89.5	16.5	WB1226090
	39.00	12.00	94.5	21.5	WB1226095
	39.00	12.00	105.5	16.5	WB1226108
	39.00	12.00	103.5	21.5	WB1226104
30	38.89	15.918	73.4	4.0	WB1630073
	38.89	15.918	82.6	4.0	WB1630083
	38.89	15.918	110.5	19.5	WB1630111
	38.89	15.918	103.2	23.4	WB1630103
	38.89	15.918	111.5	23.8	WB1630112
	38.89	15.918	127.8	25.8	WB1630128
	38.89	15.918	108.7	27.3	WB1630109
	38.89	15.918	101.2	27.5	WB1630101
	38.89	15.918	111.8	29.2	WB1630112K
	38.89	15.918	120.6	29.5	WB1630121
	38.89	15.918	105.2	30.1	WB1630105
	38.89	15.918	127.8	31.0	WB1630128K
	38.89	15.918	121.6	31.4	WB1630122
	38.89	15.918	113.1	31.7	WB1630113
	38.89	15.918	114.3	32.0	WB1630114
	38.89	15.918	154.0	34.0	WB1630154
	38.89	15.918	193.3	35.1	WB1630139
	38.89	15.918	160.0	35.1	WB1630150
	38.89	15.918	119.9	36.6	WB1630120
	38.89	15.918	119.1	37.3	WB1630119
	38.89	15.918	133.1	38.7	WB1630133
	38.89	15.918	125.0	39.0	WB1630125
	38.89	15.918	136.4	39.0	WB1630136
	38.89	15.918	142.9	40.0	WB1630143
	38.89	15.918	122.2	40.2	WB1630122K
	38.89	15.918	132.1	40.2	WB1630132
	38.89	15.918	134.0	42.6	WB1630134
	38.89	15.918	135.3	50.8	WB1630135
	38.89	15.918	135.7	52.4	EN1630138
	38.89	15.918	138.1	58.3	WB1630138
	38.89	15.918	161.9	58.3	WB1630162
	38.89	15.918	146.2	61.7	WB1630146
38.89	15.918	159.5	76.2	WB1630160	
38.89	15.918	123.4	40.6	WB1630123	
38.89	15.918	142.0	52.6	WB1630142	
38.1	54.00	18.961	144.5	29.0	WB1938145
	54.00	18.961	132.1	29.8	WB1938132
	54.00	18.961	134.1	30.3	WB1938134
	54.00	18.961	141.7	31.8	WB1938142
	54.00	18.961	143.3	35.3	WB1938143
	54.00	18.961	139.7	35.6	WB1938140
	54.00	18.961	162.4	35.8	WB1938152
	54.00	18.961	165.1	35.8	WB1938165